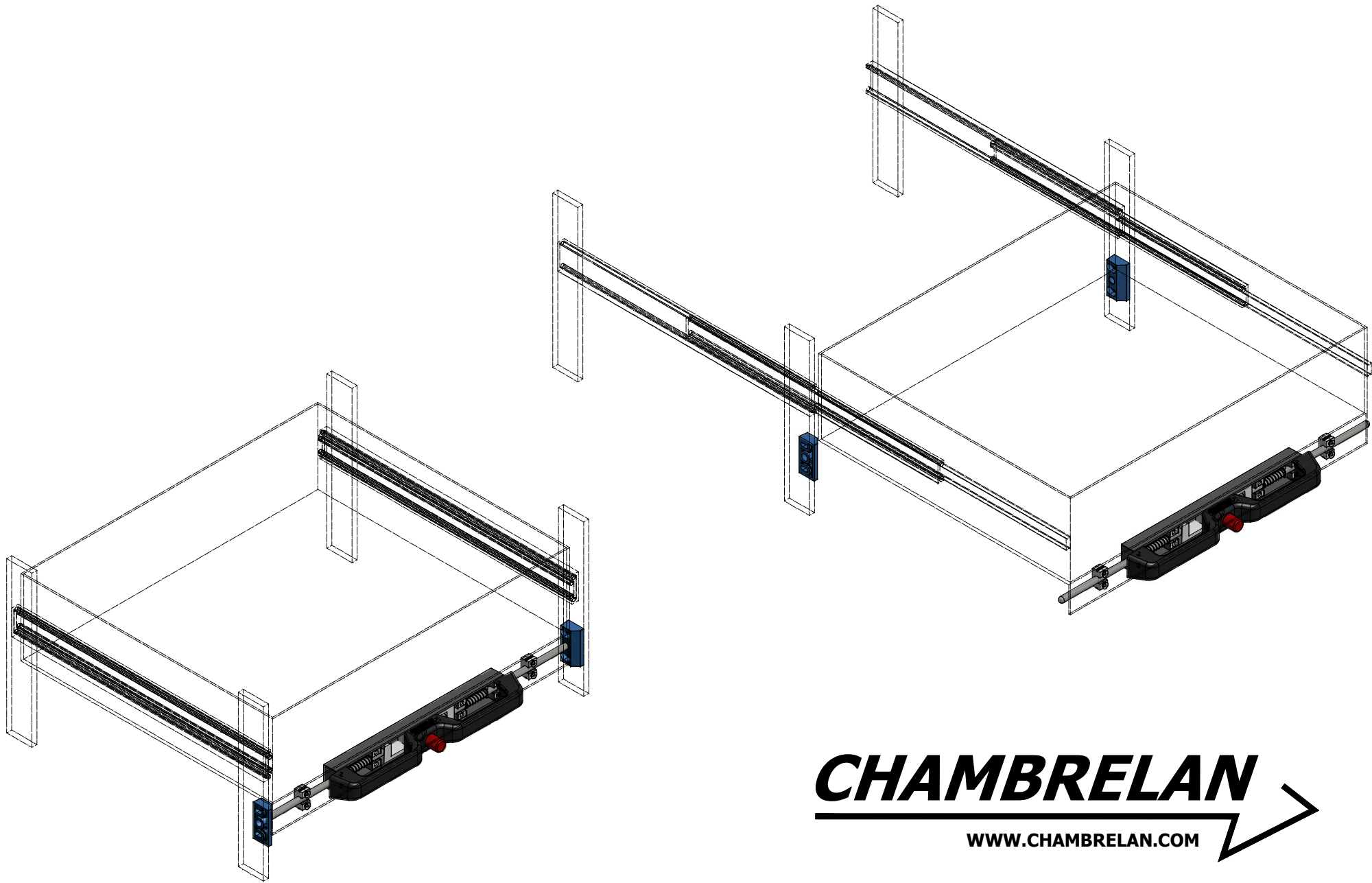
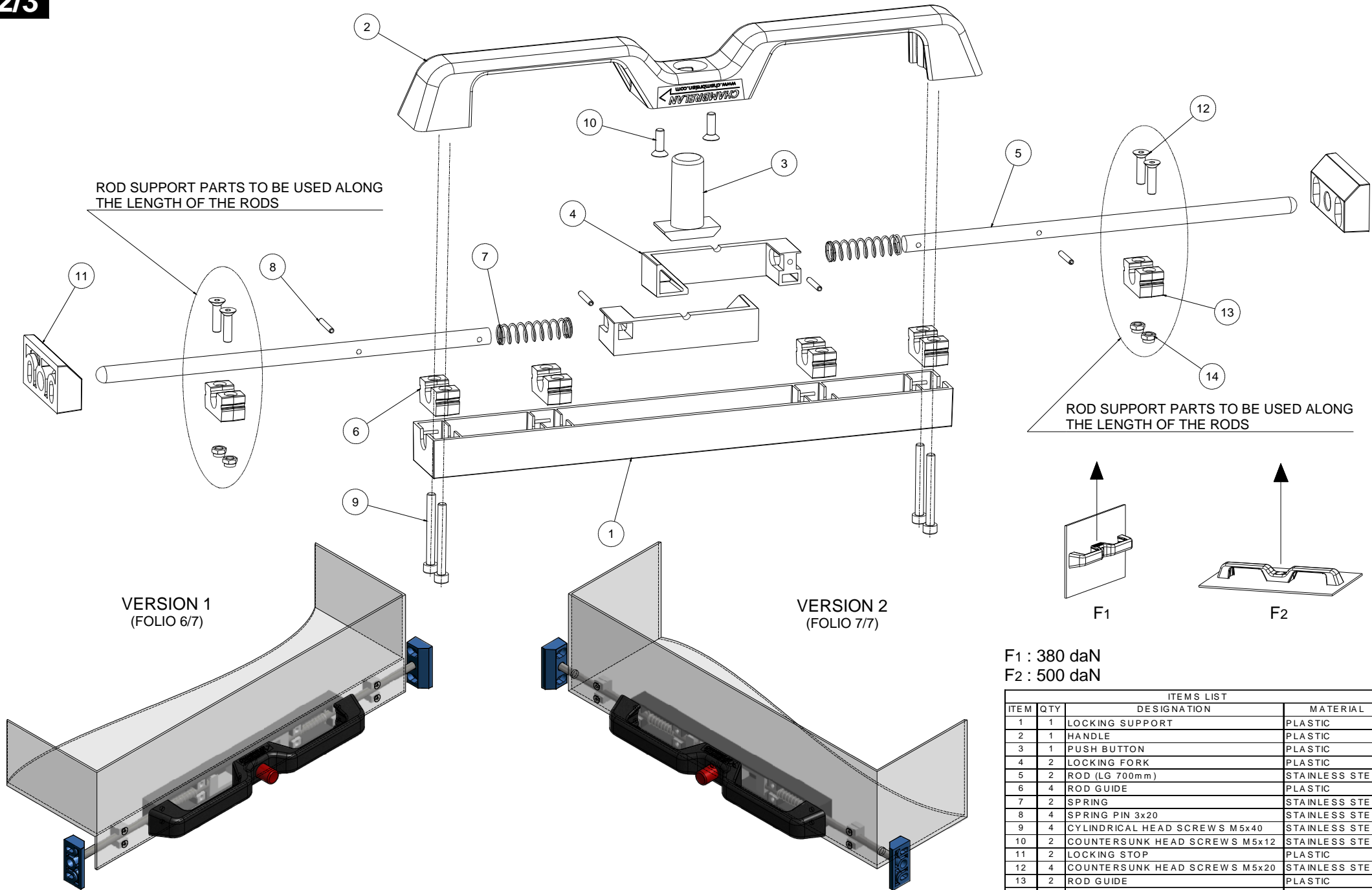


DHF



CHAMBRELAN
WWW.CHAMBRELAN.COM



ROD SUPPORT PARTS TO BE USED ALONG THE LENGTH OF THE RODS

ROD SUPPORT PARTS TO BE USED ALONG THE LENGTH OF THE RODS

VERSION 1
(FOLIO 6/7)

VERSION 2
(FOLIO 7/7)

F1

F2

F1 : 380 daN

F2 : 500 daN

ITEMS LIST			
ITEM	QTY	DESIGNATION	MATERIAL
1	1	LOCKING SUPPORT	PLASTIC
2	1	HANDLE	PLASTIC
3	1	PUSH BUTTON	PLASTIC
4	2	LOCKING FORK	PLASTIC
5	2	ROD (LG 700mm)	STAINLESS STEEL
6	4	ROD GUIDE	PLASTIC
7	2	SPRING	STAINLESS STEEL
8	4	SPRING PIN 3x20	STAINLESS STEEL
9	4	CYLINDRICAL HEAD SCREWS M5x40	STAINLESS STEEL
10	2	COUNTERSUNK HEAD SCREWS M5x12	STAINLESS STEEL
11	2	LOCKING STOP	PLASTIC
12	4	COUNTERSUNK HEAD SCREWS M5x20	STAINLESS STEEL
13	2	ROD GUIDE	PLASTIC
14	4	LOCK NUT M5	STAINLESS STEEL

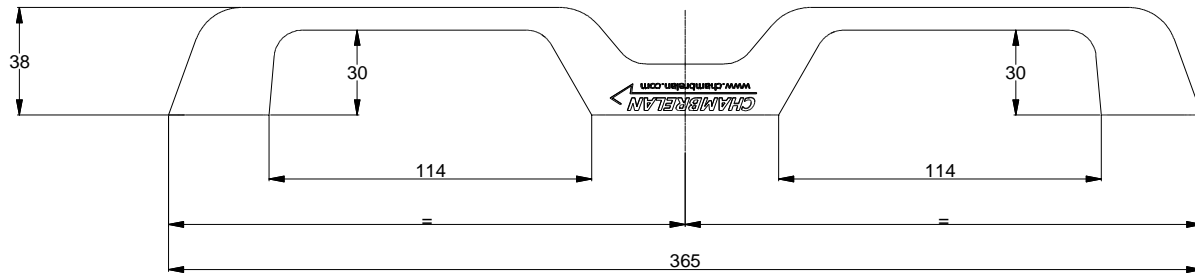
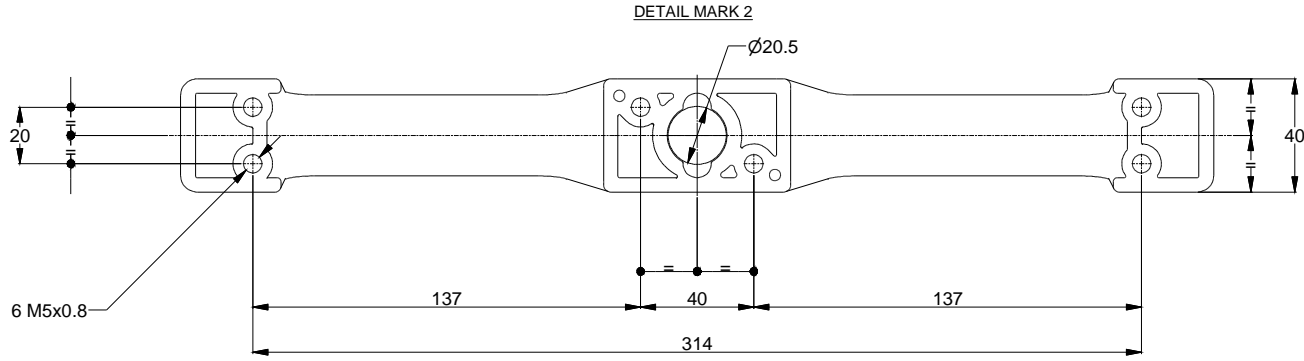
Date : 21.05.13 Dessiné : LEFEBVRE Verifié : DENEUVE

CHAMBRELAN SLAM LOCK HANDLE
PLAN: NOMENCLATURE DHF Ech: / A0

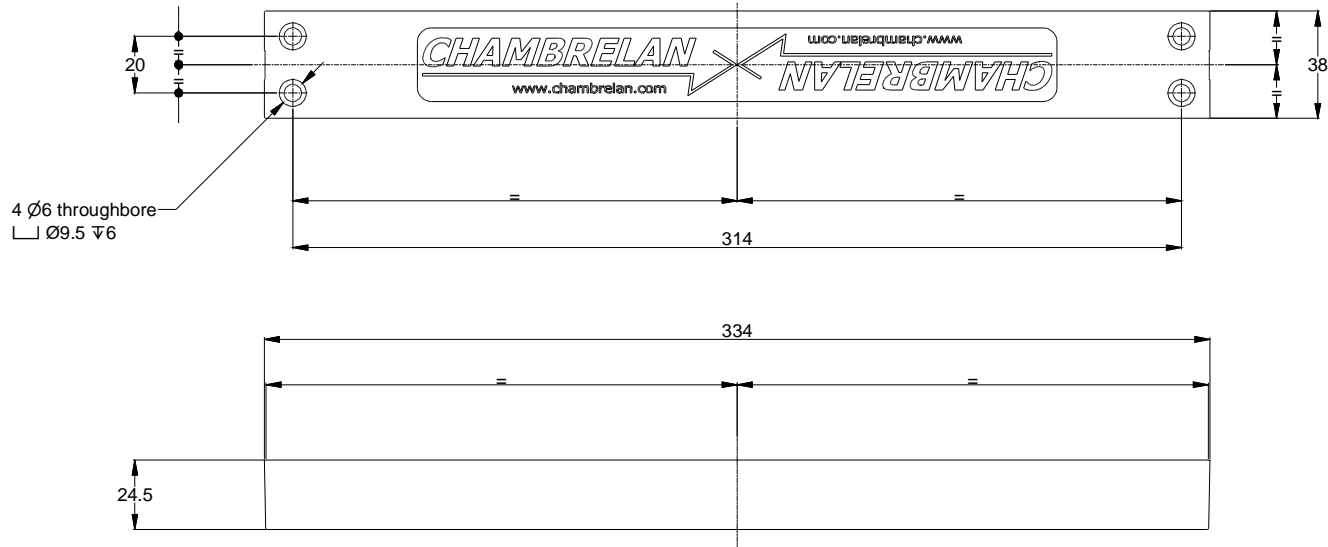
Données techniques:

- Tensile strength of the handle (Rep.2) : F1 and F2 values were recorded during breaking tests
- Pressure release: less than 8 daN without constraint

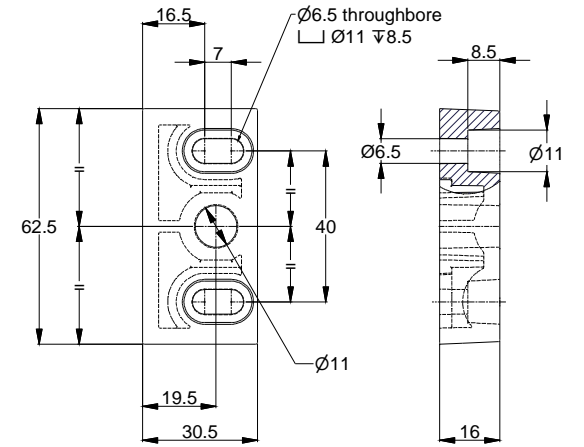
FIXING DETAILS



DETAIL MARK 1



DETAIL MARK 11



DETAIL MARK 6

